

XTREME THIN XT12

12-LED SINGLE/DUAL COLOUR LIGHT HEAD (Pedestal Mount)



FEATURES

- New Generation Xtreme optic for wide angle visual and classic aesthetics.
- SAE and ECE R65 certified high power output.
- 12LED Single colour or 6LED/6LED Dual colour option.
- Available in Surface or Pedestal Mount.
- ECE R10 EMC Compliance.
- 0.39" (10mm) Super low-profile thickness.
- Multi-units synchronization in simultaneous or alternating flash.
- Reverse polarity protection.
- Weatherproof and vibration resistant design for internal or external use.
- Aluminum base for efficient heat dissipation.
- Clear or Colour Lens options.

SPECIFICATIONS

Meets: SAE J595 Class1; CA Title 13 (R/A/B);
ECE R65 (XR1, XB1, XA1);
ECE R65 (XR2, XB2, XA2) * 12LED Single Colour only;
ECE R10; IPX8

Bulb: High-power LED x 12pcs

Warning Patterns: 16 Flash Patterns

Operating Voltage: 12~24VDC

Avg. Current: 0.88A @12VDC / 0.44A @24VDC
(varies with flash pattern)

Avg. Power: 10.55 Watts (varies with flash pattern)

Max. Current: 1.76A @12VDC / 0.88A @24VDC

Max. Power: 21.1 Watts

Wires: Red-Vcc1 : 120cm (20AWG)
Black-GND : 120cm (20AWG)
White-Low Power / Vcc2 : 120cm (20AWG)
Yellow-Sync & Functions : 120cm (20AWG)

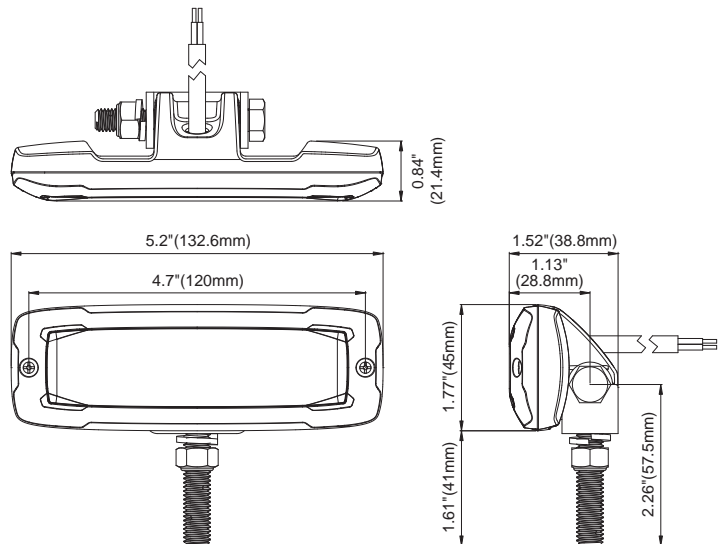
Fuse Recommended: 3A

LED Colour: Red, Blue, Amber and/or White

Lens Colour: Clear, Red or Blue



DIMENSIONS



PART NO.

- **M057-12034-00R** (XR2, RED LED, RED LENS)
- **M057-1203R-00R** (XR2, RED LED, CLEAR LENS)
- **M057-11032-00R** (XB1, BLUE LED, BLUE LENS)
- **M057-1203B-00R** (XB2, BLUE LED, CLEAR LENS)
- **M057-1203C-00R** (XA2, AMBER LED, CLEAR LENS)
- **M057-1103D-00R** (XB1/XA1, BLUE/AMBER LED, CLEAR LENS)
- **M057-1003R-00R** (SAE, RED LED, CLEAR LENS)
- **M057-1003B-00R** (SAE, BLUE LED, CLEAR LENS)
- **M057-1003C-00R** (SAE, AMBER LED, CLEAR LENS)
- **M057-1003W-00R** (SAE, WHITE LED, CLEAR LENS)
- **M057-1003Q-00R** (SAE, RED/BLUE LED, CLEAR LENS)

FLASH PATTERN

Flash Patterns					
1	Double	[R65]	9	Double	[SAE]
2	Single	[2Hz]	10	Triple	[SAE]
3	Triple	[2Hz]	11	Quad	[SAE]
4	Quad	[2Hz]	12	Quint	[SAE]
5	Random		13	Ultra	[SAE]
6	Steady		14	Single-Quad	
7	Single	[SAE/CA13]	15	Single H/L	
8	Mega		16	Singe-Triple-Quint	