

# B16

## R65 LED BEACON

E6 TB2



### FEATURES

- Multi-Voltage Input 12~24VDC.
- LEDs rated to 100,000 hours of operation.
- Non-volatile memory recalls last flash pattern used at power up.
- Multiple units are synchronizable and can flash simultaneously or alternately.
- Reverse polarity protection.
- Weatherproof and vibration resistant design for external or internal use.

### SPECIFICATIONS

**Meets:** ECE-R65-TB2, ECE-R10, SAE

**Operating Voltage:** 12~24VDC

**Warning Patterns:** 14 Flash Patterns

**Bulb:** 3W LED x 8 pcs

**Avg. Current:** 1.2A @12.8VDC / 0.7A @24VDC  
(varies with flash pattern)

**Avg. Power:** 15Watts (varies with flash pattern)

**Max. Current:** 2.4A @12.8VDC / 1.3A @24VDC

**Max. Power:** 30Watts

**Wires:** Magnetic Mount

- Single button cigar-plug: 300cm
- European cigar-plug: 250cm

#### Permanent Mount

- Red-Vcc : 40cm (20AWG)
- Black-GND: 40cm (20AWG)
- Yellow-Flash Patterns & Sync: 40cm (20AWG)
- White-Low Power: 40cm (20AWG)

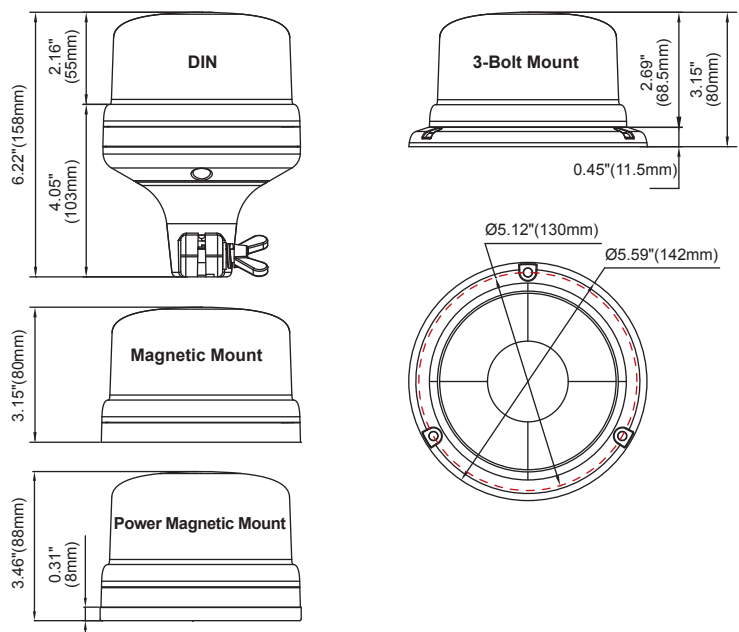
**Fuse Recommended:** 5 A

**Multi-Unit Synchronization:** Over 15 units

**Storage Temperature:** -40°C to +75°C

**Operating Temperature:** -30°C to +65°C

### DIMENSIONS



### PART NO.

**B16-11332-00** 3-Bolt Mount, Blue TB2

**B16-12332-00** Magnetic Mount, Blue TB2 (Straight cord with single button cigar-plug)

**B16-14332-00** Magnetic Mount, Blue TB2 (European coil cord and cigar-plug)

**B16-13332-00** DIN pole Mount, Blue TB2

**B16-16332-00** Power Mag Mount, Blue TB2 (European coil cord and cigar-plug)

\*Power Mag is rated at 250km/hr

### FLASH PATTERN

FP#	FLASH PATTERNS	FP#	FLASH PATTERNS
1	Double R65 (2Hz)	8	Mega
2	Single (2Hz)	9	Ultra
3	Quad (2Hz)	10	Single-Quad
4	Single	11	Single H/L
5	Double	12	Single Column Rotator
6	Quad	13	Double Column Rotator
7	Quint	14	Double Rotator x 5->Quint x 5