

B19

Heavy Duty LED BEACON



FEATURES

- Heavy duty, Aluminium base, wide-diameter LED Beacon.
- 12 Upward facing LEDs on top for greater visibility from above, combined with 24 Primary LEDs to provide 360° horizontal coverage.
- Versatile mounting options:
3-Bolt Mount: Ø130 or Ø144 / Magnetic / 1" Pipe / Shelf Mount / Mirror Mount.
- Weatherproof and vibration resistance design for internal or external use.

SPECIFICATIONS

Compliance: ECE R65 (TA1; TB2), SAE J845 Class 1, CA13, ECE R10

IP Rating: IPx5

Operating Voltage: 12~24V

No. of Warning Patterns: 14

LED Elements: High Power LED x 24 pcs;
Upward Facing LED x 12 pcs

Avg. Current: 2.78A @12VDC / 1.39A @24VDC

Max. Current: 5.56A @12VDC / 2.78A @24VDC

Avg. Power: 33.4W

Max. Power: 66.8W

Wires: *Magnetic Mount*

- Dual Button Cigar-Plug: 250cm (18AWG)
Button 1 -ON / OFF Switch
Button 2 -Flash Pattern Selection (SAE / ECE R65 TA1); or
-Low Power Operation (ECE R65 TB2 model only)

Permanent / 1"Pipe / Shelf / Mirror Mount

- Red-Vcc : 20cm (20AWG)
- Black-GND: 20cm (20AWG)
- Yellow-Flash Patterns & Sync: 20cm (20AWG)
- White-Low Power: 20cm (20AWG)

Synchronization: 15 Units

Fuse Rating: 5A

Storage Temp.: -30°C to +75°C

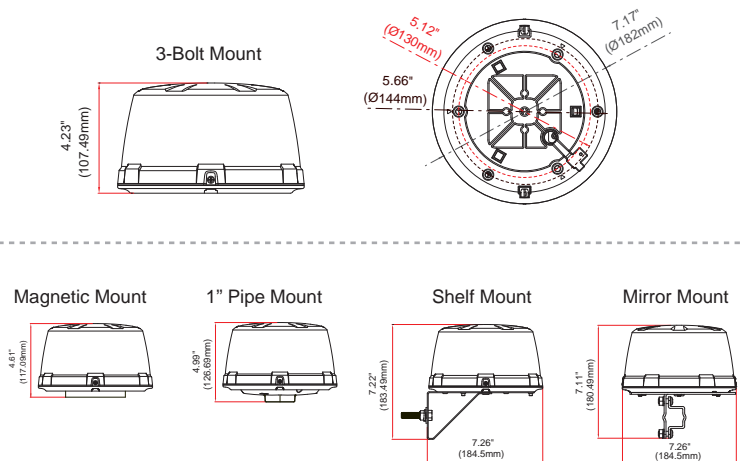
Working Temp.: -20°C to +65°C

LED Colour: Red, Blue, Amber, White

Lens Colour: Red, Blue, Amber, Clear

Warranty: 5 Years

DIMENSIONS



PART NO.

- **B019-x113y-00R** (3 Bolt Mount)
- **B019-x123y-00R** (Magnetic Mount w/ 2 Button Cigar-Plug)

replace x for Model:

- 1 = SAE
- 2 = ECE R65
- 3 = ECE R10

replace y for Colour:

- 2 = Blue LED, Blue Lens
- 4 = Red LED, Red Lens
- 8 = Amber LED, Amber Lens
- W = White LED, Clear Lens

FLASH PATTERN

FP#	FLASH PATTERNS		
1	Double [R65]	8	Mega
2	Single [2Hz]	9	Ultra [SAE]
3	Quad [2Hz]	10	Single-Quad
4	Single [SAE] [CA13]	11	Single H/L
5	Double [SAE]	12	Rotator x1
6	Quad [SAE]	13	Rotator x2
7	Quint [SAE]	14	Rotator x2 - Quint

ACCESSORIES

99-B019M00-000
(1"Pipe Mount Adaptor)

99-B019M01-000
(Shelf Mount Bracket)

99-B019M02-000
(Mirror Mount Bracket)

