



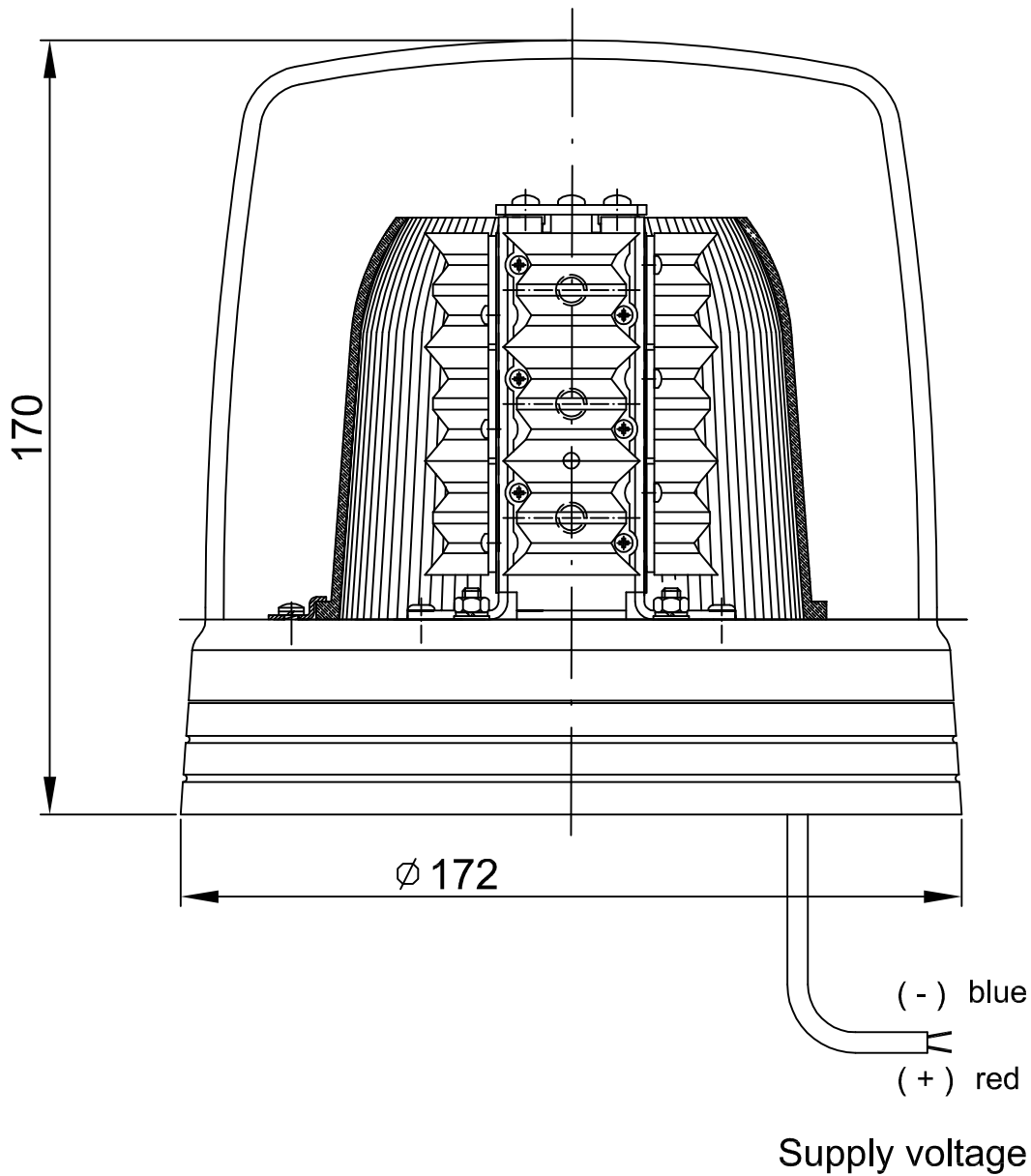
**Elektra**®

ZAKŁADY ELEKTROMECHANICZNE S.I.  
ul. Przasnyska 6A  
01-756 Warszawa

*We have implemented ISO 9001*

Tel.(0-22) 4316-171(172) Fax. (0-22) 639 73 45  
www.zeelektra.com.pl  
email: handel@zeelektra.com.pl

## INSTRUCION FOR INSTALLATION AND USE WARNING LED BEACON LBL-2000



**INSTRUCION FOR INSTALLATION AND USE  
WARNING LED BEACON ON MAGNETIC BASE LBL-10K1N  
BLUE COLOUR OF LIGHT**

**GENERAL DESCRIPTION :**

Warning LED beacon LBL-2000 has use as source of the warning light of the privileged and special road vehicles.

Casing of the lamp consists of polyamid lamp base with the glass fibre and coloured cover.

Inside of the casing is placed electronic flash unit, which construction consists of twelf super-bright 3W Leds, placed in the focuses of the special designed lenses ensuring the proper light distribution.

The working principle of the lamp is based on the emission of a very strong vibrating light flashes.

The special designed electronic system enables the supply of the lamp with both 12VDC and 24VDC electric car system as well as assures delivery indispensable voltages, which are needed to creation four-time flash about the proper effective luminous intensity value of the component flashes.

Electronic system of the lamp fulfil all the valid requirements of the UNECE Regulation No.10 concerning of electromagnetic compatibility.

**INSTALATION:**

The lamp is adapted to fixing on the roof of the special vehicle with the aid of fixing kits : Z-4: Z-5: Z-6; Z-9. Detailed instructions concerning drilling and layout of holes are attached to fixing kits.

Type of kits depend on client needs.

In no case the depth of entry into lamp base of three fixing screws M6 should not exceed 25 mm.

**NOTE:** *Fix the lamp in this way, that her base will be parallel to the road surface.*

**ELECTRICAL CONNECTION:**

- The cross section of the cable should be at least 1,5 mm<sup>2</sup>.
- Connect the red cable via a switch to the positive end (+).
- Clamp the blue cable to the negative end (-) (vehicle chassis).

**TECHNICAL DATA:**

Supply voltage	10.8V DC - 30V DC
Average current consumption	1,4A at 12V DC or 0,7A at 24V DC
Flash frequency	2,1 Hz
Operating temperature	-20°C to +50°C

**Warning !**

**Inside of the lamp occurs VOLTAGE about 50V ! even after switch off the power supply.**