

SAS32R & SW300

Integrated Speaker Siren System
w/ 2 Aux Outputs & PA Mic



SAS32R

SW300

FEATURES

- Remote Controlled Compact 30W Siren Amplifier w/ Speaker.
- Superb performance with siren volume of 109dB at 2M.
- Two 5A Aux Output, individually controlled for warning lights.
- Built-in Siren Tones: Wail, Yelp, Phaser, HiLo.
(Available w/ Customized Tone on special order)
- Smart Low Voltage detection & notification.
- Remote 3-button Control Panel (SW300) w/ Handlebar Bracket.
- Rubber touch Tactile Switch w/ LED Back light.
- PA system integrated for external dynamic microphone.
- Microphone available in Handheld or Clip-on.

SPECIFICATIONS

SAS32R Siren Amplifier & Speaker Unit:

Compliance: ECE R10, SAE J1113-13

IP Rating: Siren IPX6; Speaker IPX4K

Operating Voltage: 12~16VDC

Low Voltage Detection: <11.6VDC

Max. Power (Siren & Speaker): 30W

Max. Current (Siren): 2.5A @ 13.6VDC

Steady Current: <0.08A

Siren Tones: Wail, Yelp, Phaser, HiLo, Manual Wail

Aux Output: 12VDC, 5A x 2

Audio Range: 725Hz~1465Hz

Wires: Power and Output Cable: 6 wires @ 2220mm~2400mm

Control and Mic Cable: 8 wires @ 1250mm~1380mm

Fuse Rating (Siren Power): 15A by +VDC

Storage Temp.: -30°C ~ +70°C

Operating Temp.: -20°C ~ +60°C

SW300 Control Panel:

Current Output: 3 x 0.01A

Power & Control Cable: 550mm~590mm

IP Rating: IPX5

Microphone:

Type: Dynamic Microphone

Rate Impedance: 600 Ohm ± 15%

IP Rating: IPX4

Storage Temp.: -25°C ~ +55°C

Operating Temp.: -25°C ~ +50°C

PART NO.

SAS32R Speaker Siren; SW300 Control Panel w/ Handlebar Mount Bracket & Mic Set

- S005-10010-00R (Handheld Mic Set)
- S005-10011-00R (Handheld Mic Set, ECE R10)
- S005-20010-00R (Clip-on Mic Set)
- S005-20011-00R (Clip-on Mic Set, ECE R10)

SAS32R Speaker Siren; SW300 Control Panel w/ Handlebar Mount Bracket Only

- S005-30010-00R
- S005-30011-00R (ECE R10)

SAS32R Speaker Siren; SW300 Control Panel w/o Bracket

- S005-40010-00R
- S005-40011-00R (ECE R10)

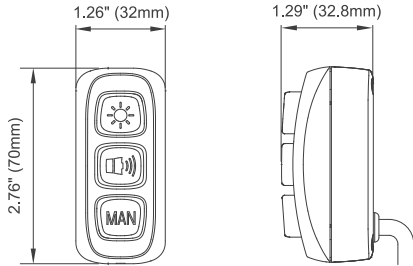
SAS32R Speaker Siren Only

- S005-00010-00R
- S005-00011-00R (ECE R10)

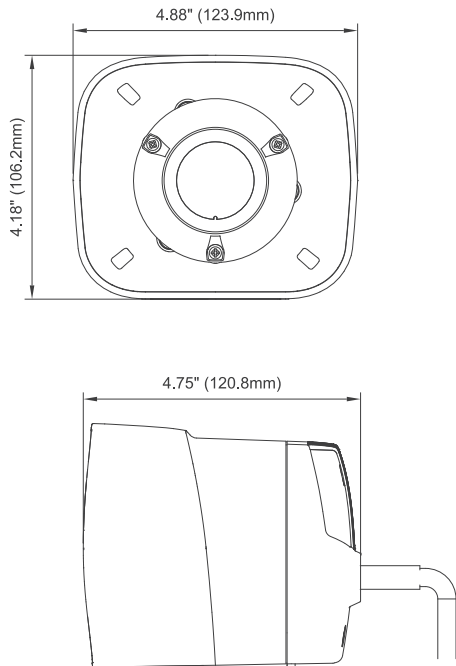


DIMENSIONS

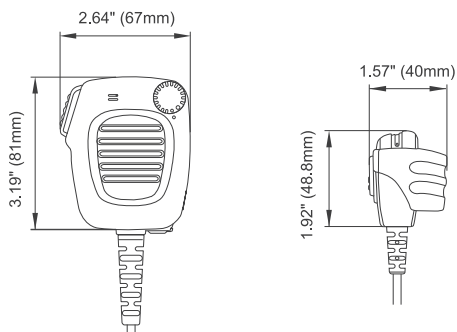
SW300 Control Panel



SAS32R Speaker Siren



Microphone



ACCESSORY

- **99-S005X00-000**
(Handheld Mic Set)



- **99-S005X01-000**
(Clip-on Mic Set)



- **99-A005X01-000**
(SW300 Control Panel for SAS32R Speaker Siren, Surface Mount w/o Bracket)



- **99-A005X00-000**
(SW300 Control Panel for SAS32R Speaker Siren, w/ Handlebar Mount Bracket)

